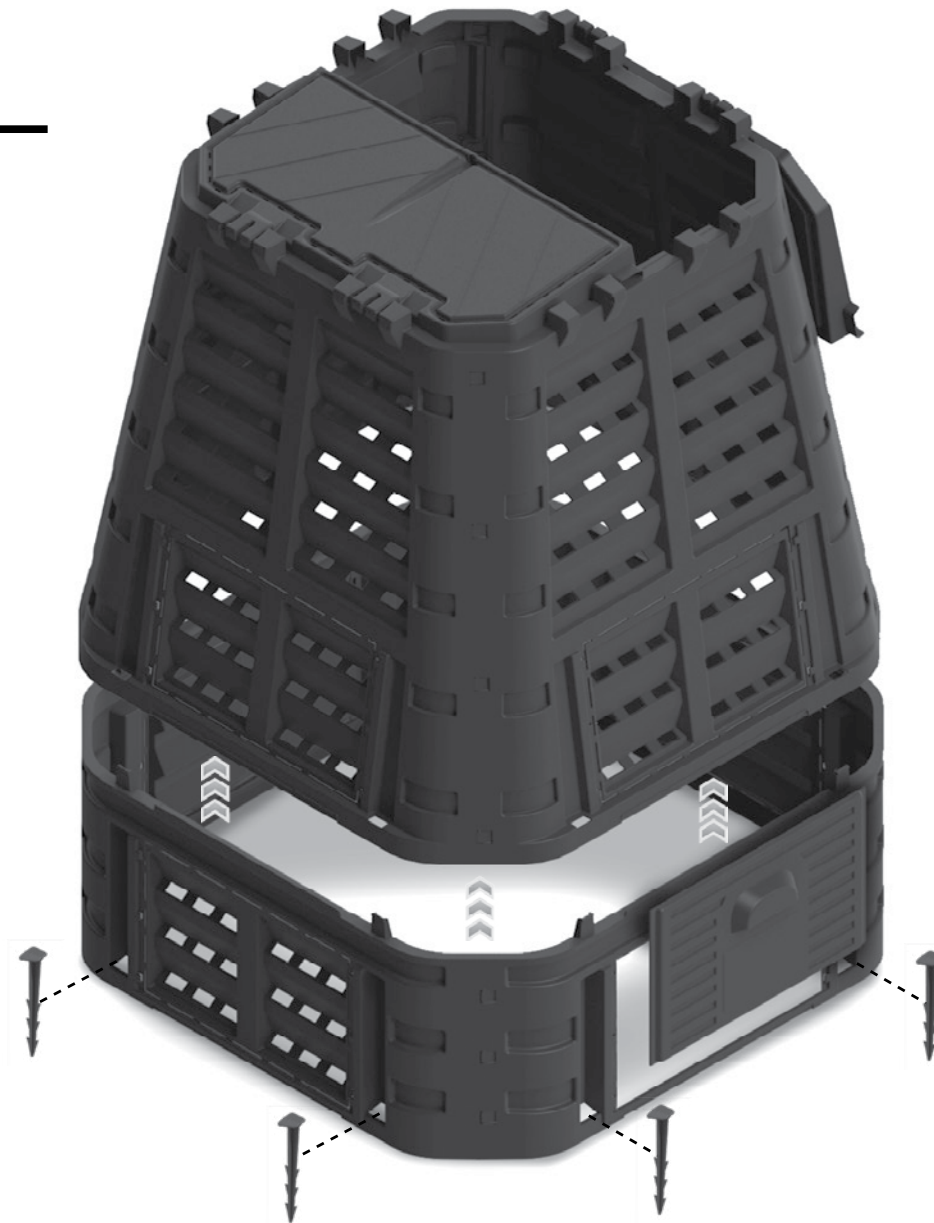
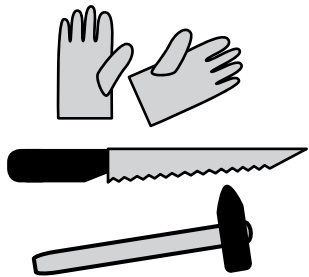


# Multi Composter 420l

## MANUAL

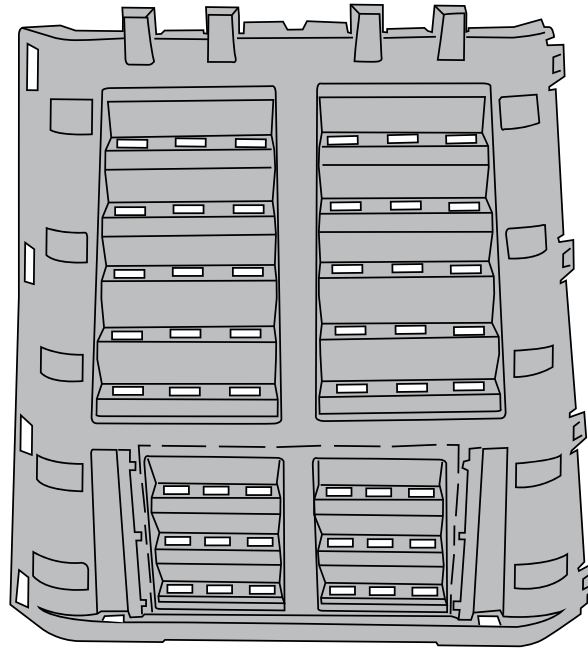


you would need  
(not included)



# SET INCLUDES:

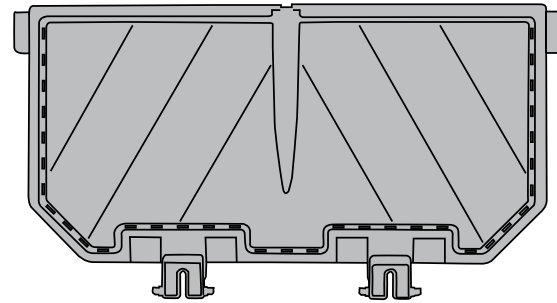
**Multi Composter 420l**



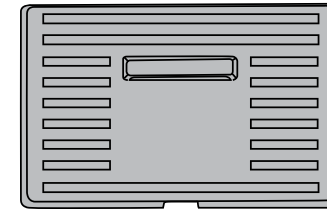
**A** x4



**C** x8

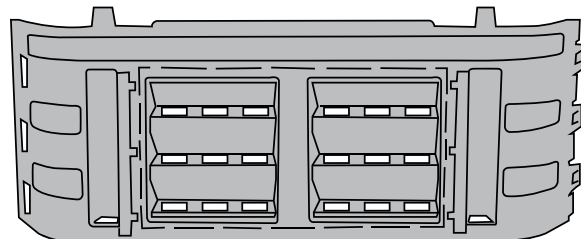


**B** x2



**D** x1

**Enlarging Module 230l**

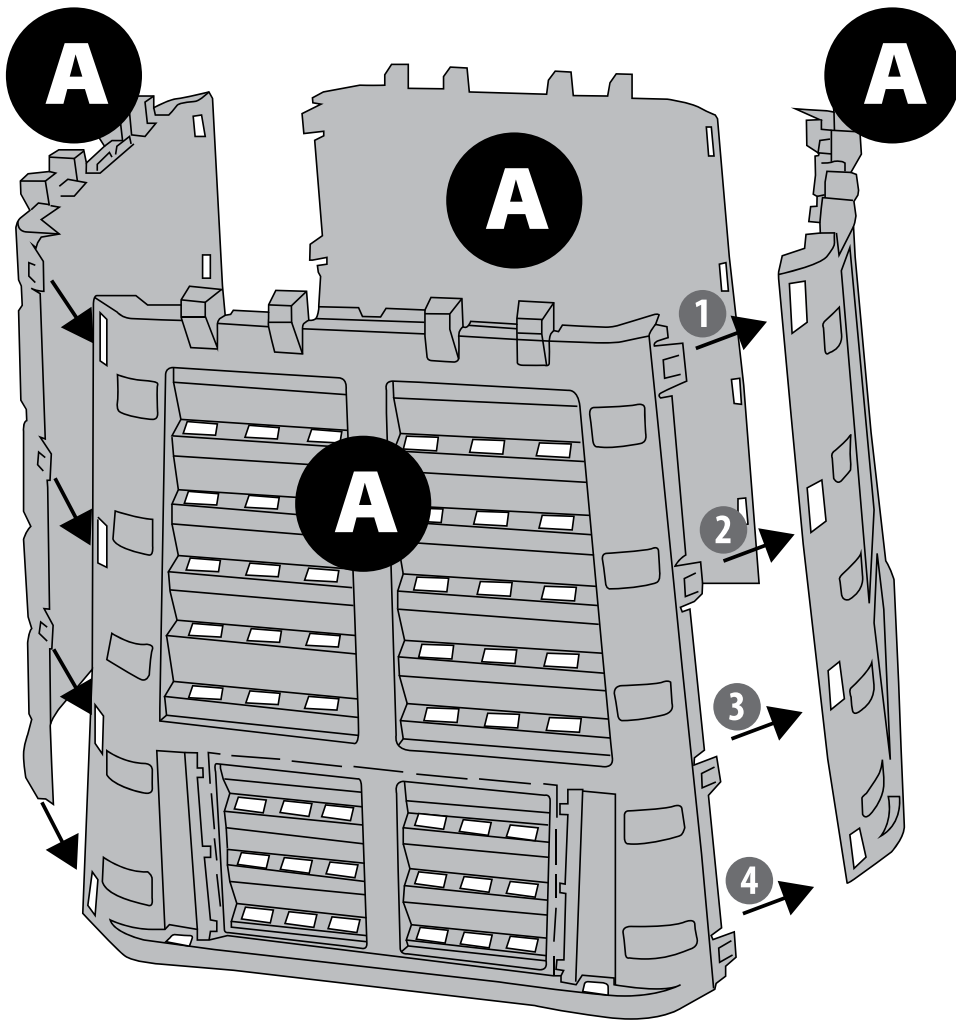


**E** x4

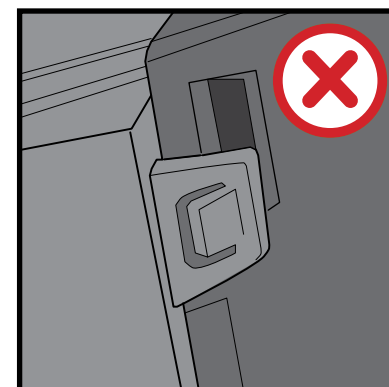
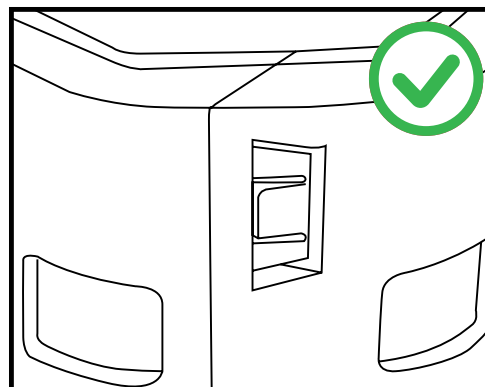
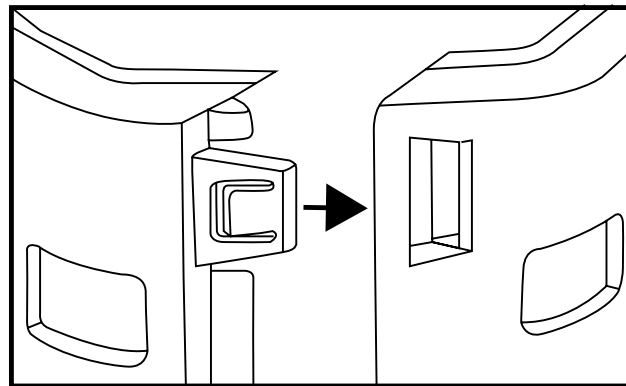
step  
**1**

# ASSEMBLY:

Combining the side modules



## CLICK SYSTEM

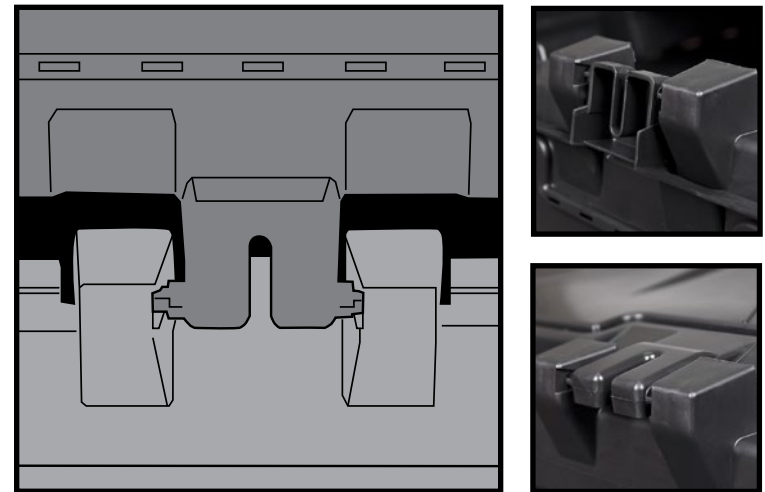
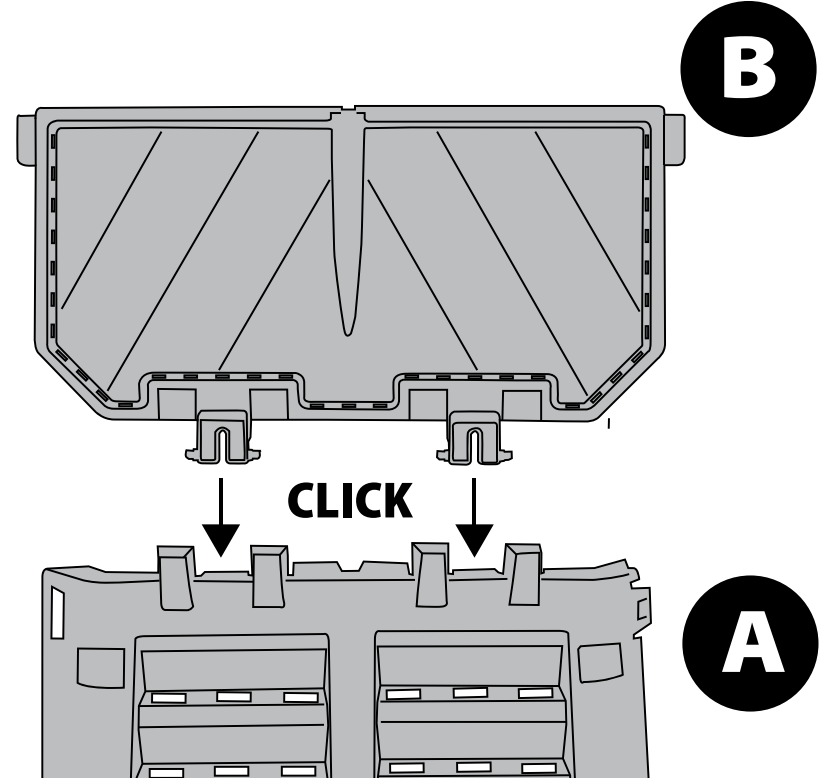
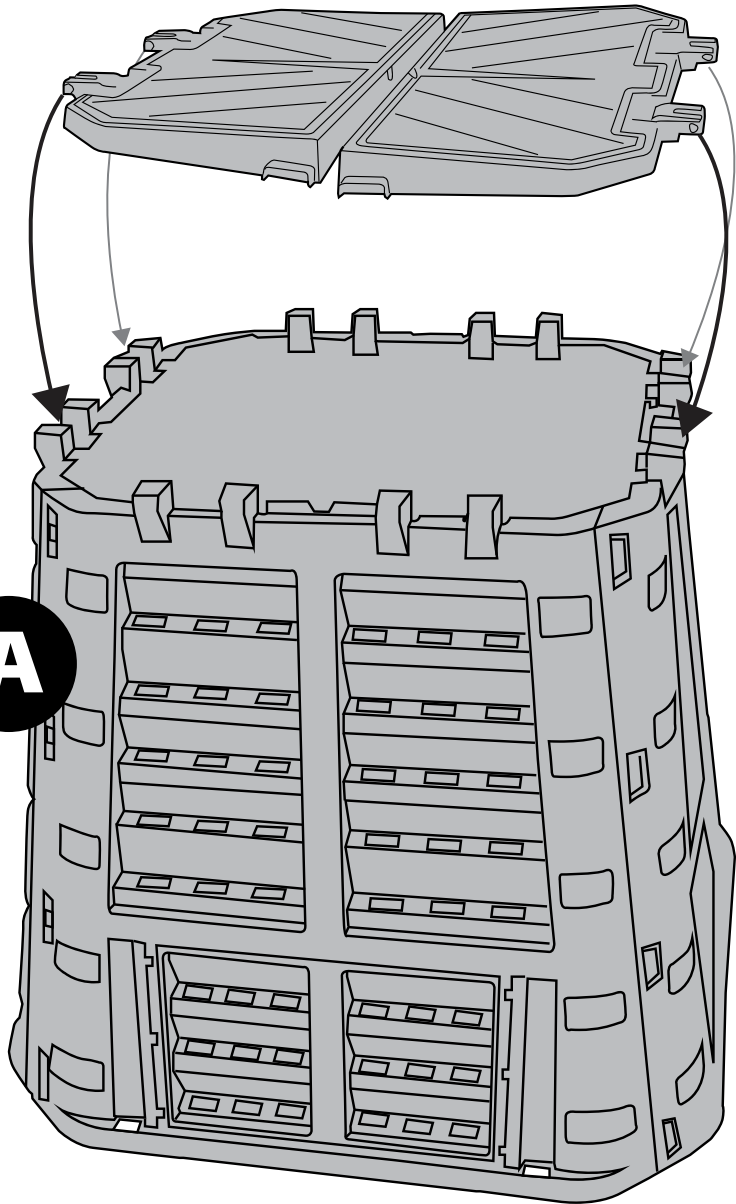


step  
**2**

**ASSEMBLY:**  
Mounting the hatch wings

**2x B**

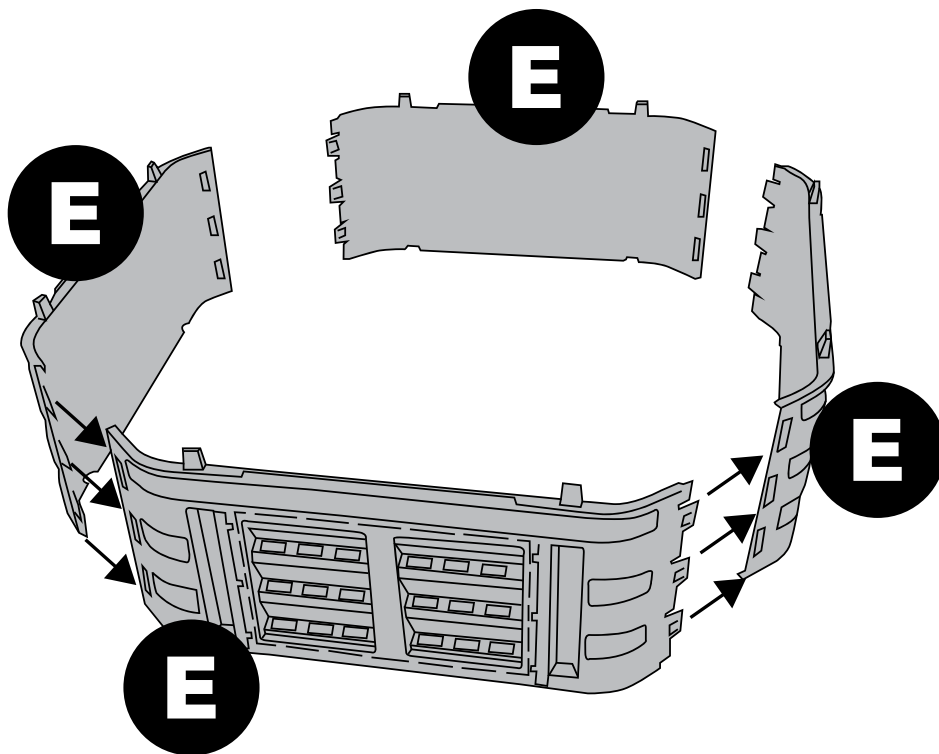
**4x A**



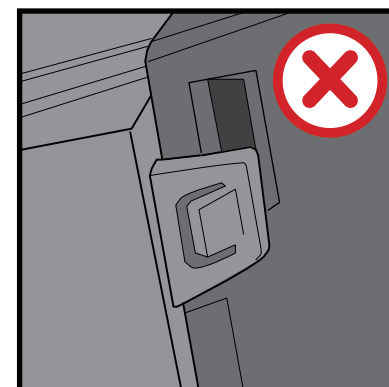
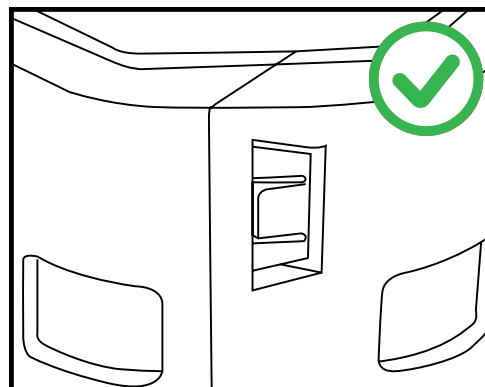
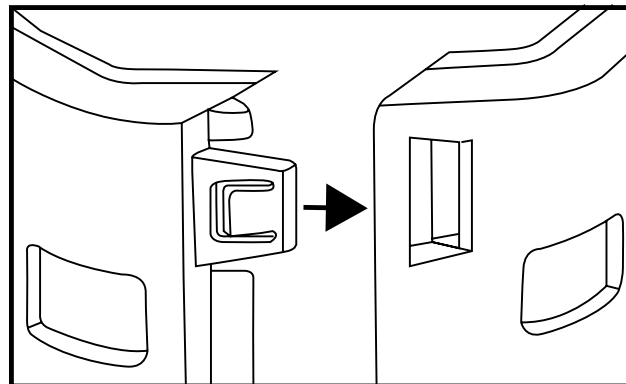
step  
**3**

# ASSEMBLY:

Combining the enlarging module



## CLICK SYSTEM



step  
**4**

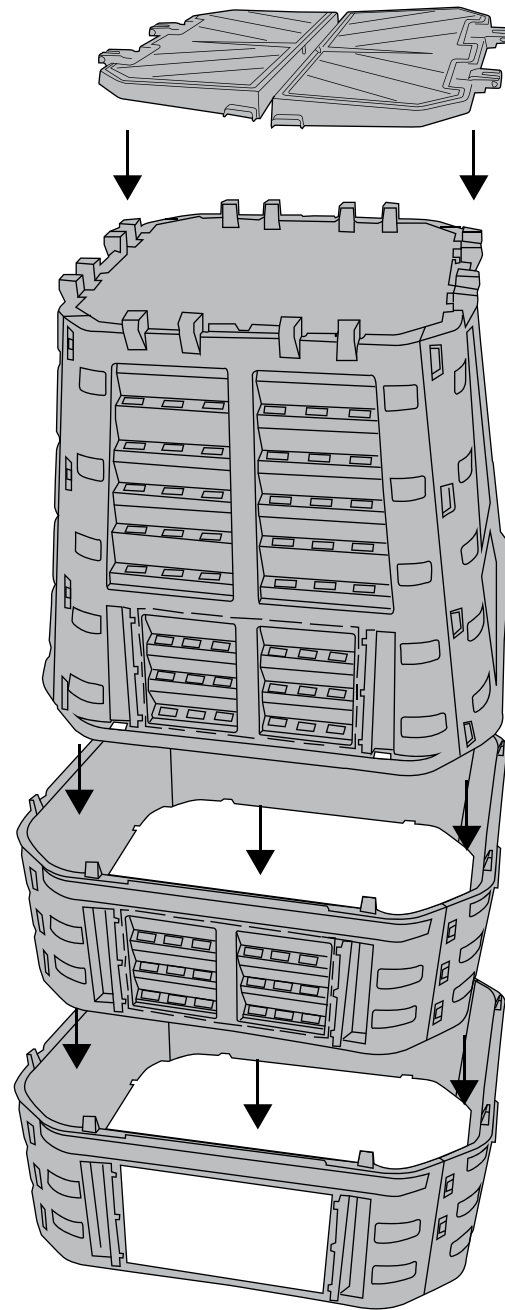
**ASSEMBLY:**

Final combining of all elements

**1**

**2**

**3**



MULTI COMPOSTER **420L**

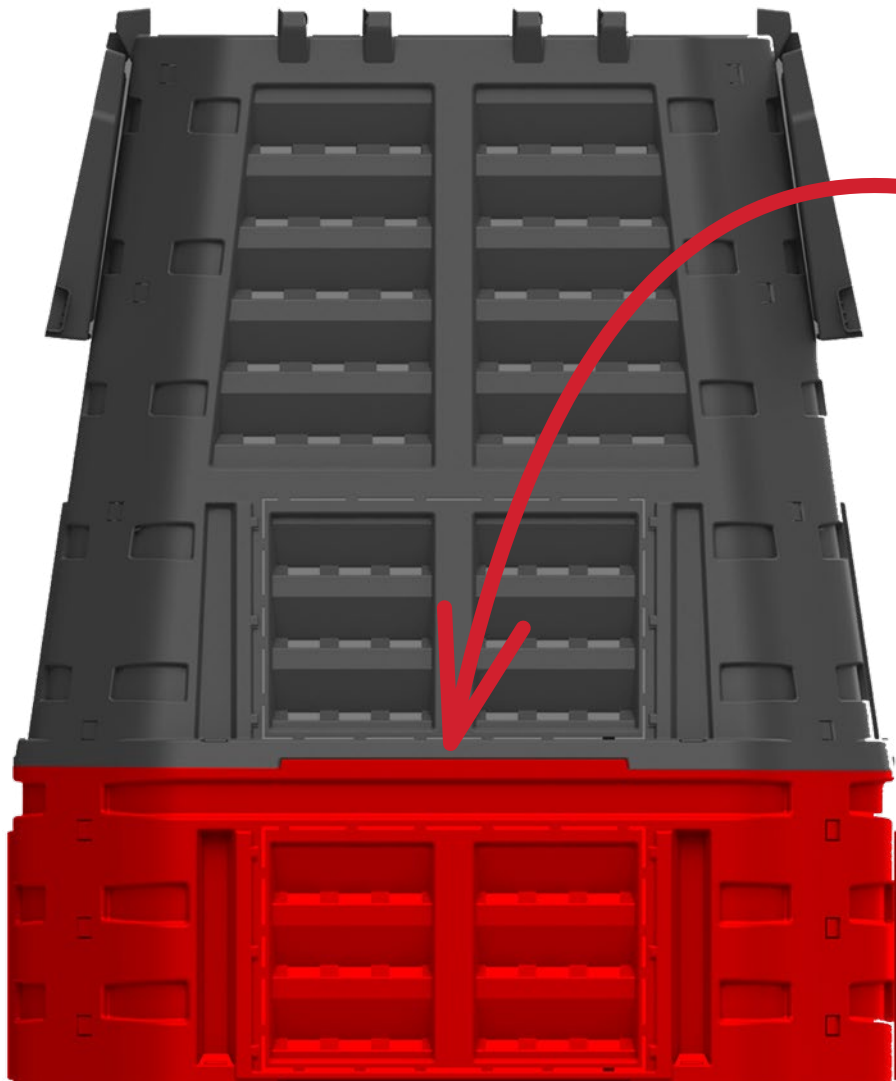
MULTI COMPOSTER **620L**

MULTI COMPOSTER **880L**

step  
**5**

# ASSEMBLY:

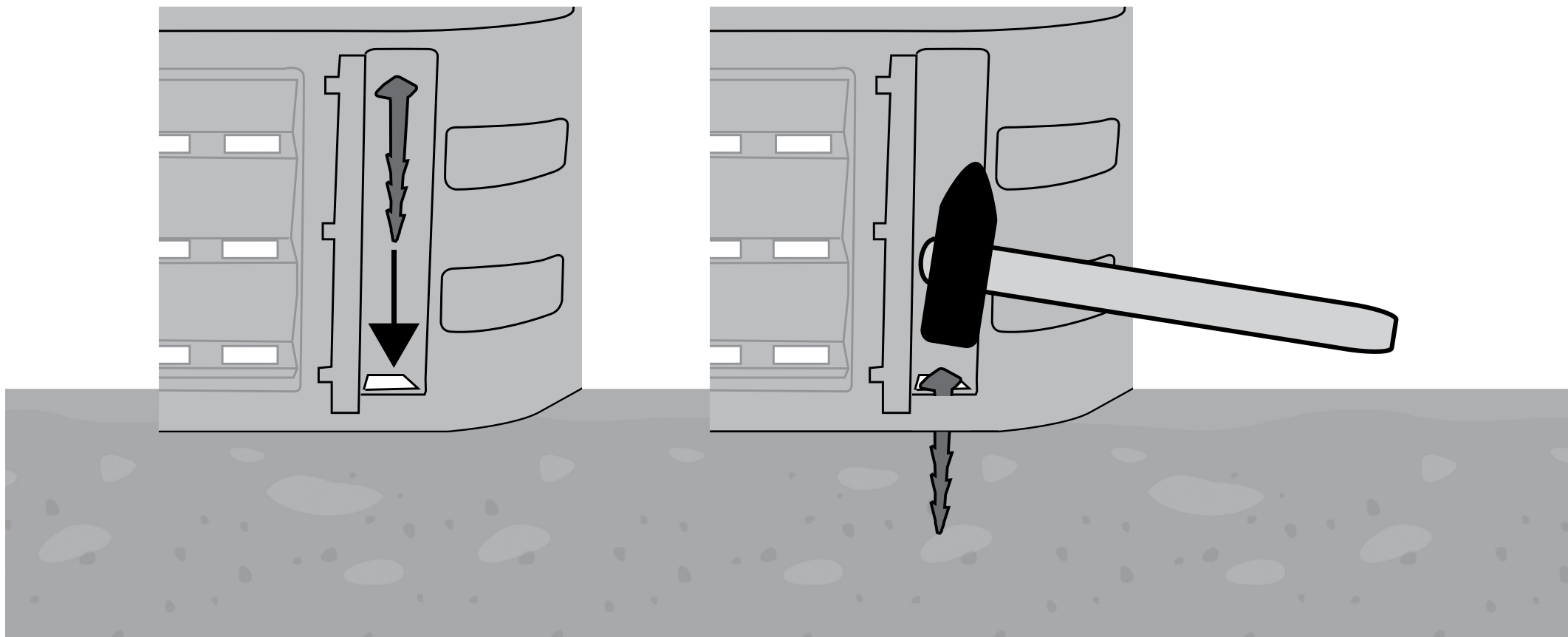
Warning



step  
**6**

# ANCHOR

you would need  
(not included)



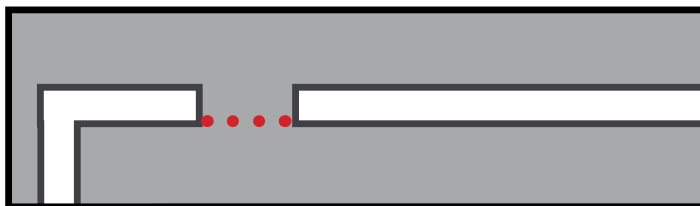
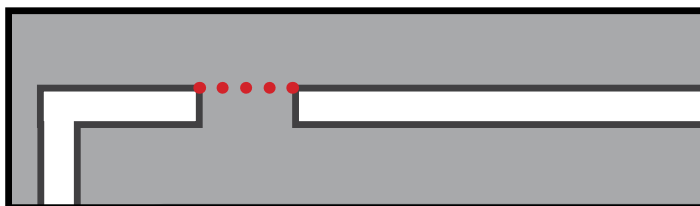


step  
**7**

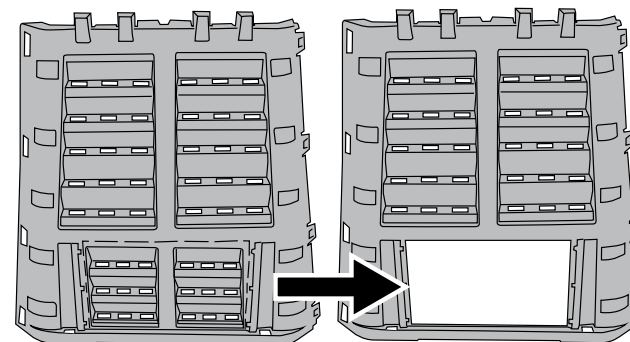
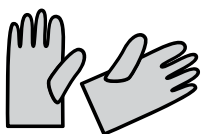
# SIDE GATE CUTTING



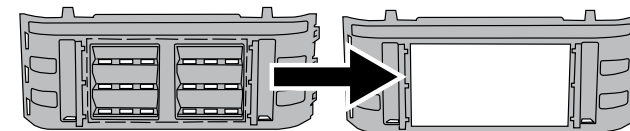
**Wear your  
protection  
gloves**



you would need  
(not included)

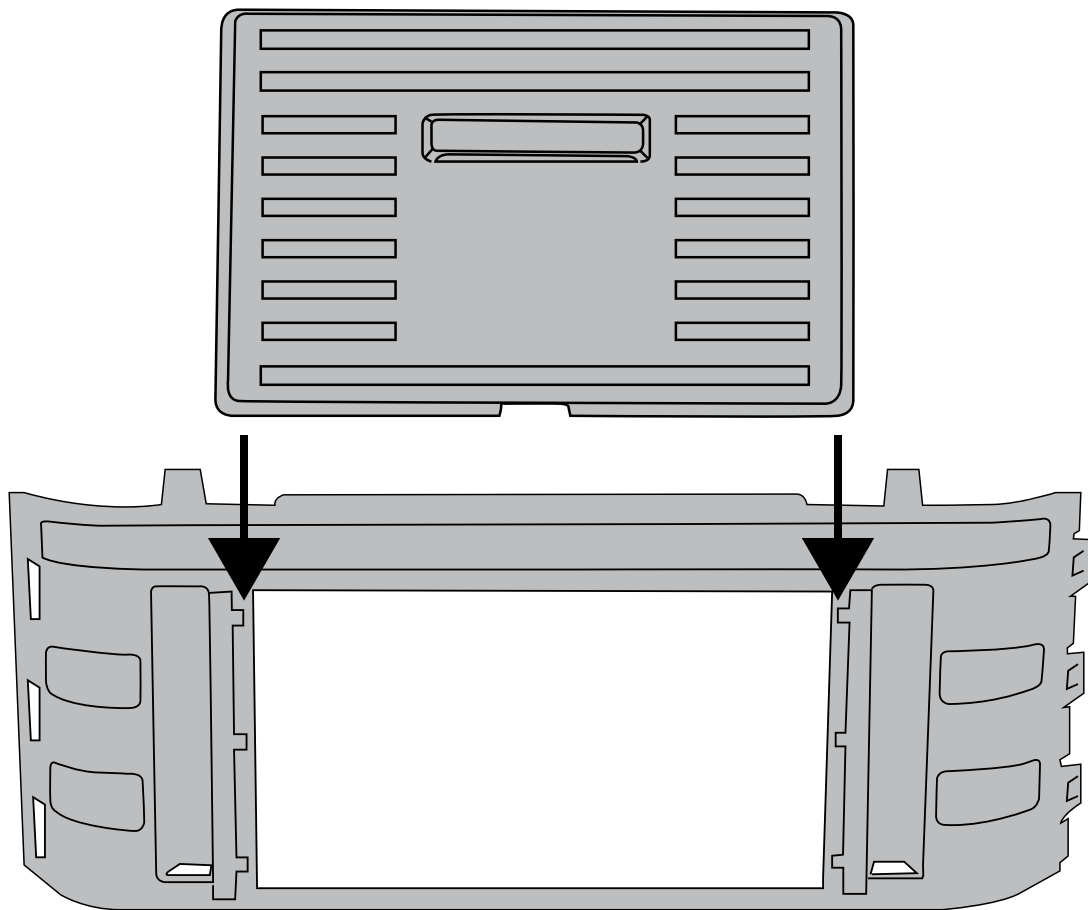


**OR**



step  
**8**

## POSITIONING THE SLIDE GATE

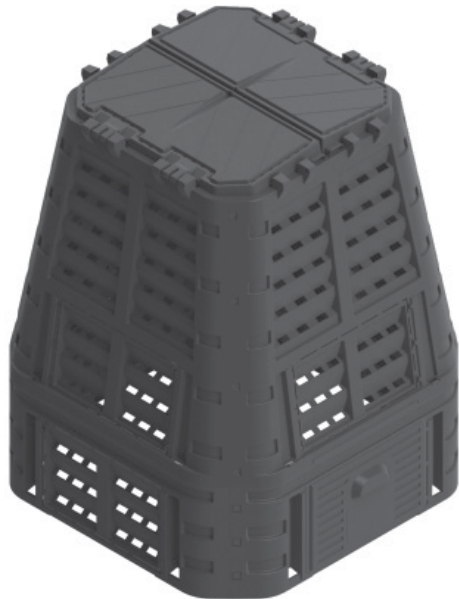




MULTI COMPOSTER **420L**



MULTI COMPOSTER **620L**



MULTI COMPOSTER **880L**

